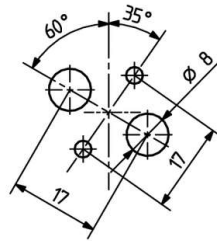
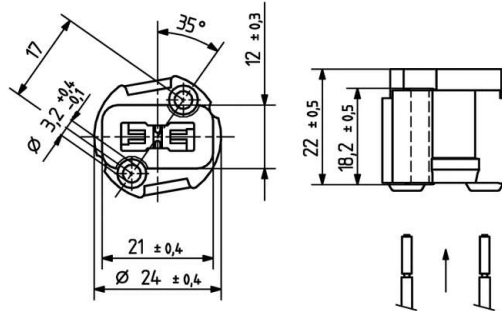


 Create pdf

## Lampholders for mains voltage halogen lamps

25.830.1000

G9



pkg.	wt.	part no.
216	15 g	25.830.1000.00

Approval: additional cULus (75W /250V)



Screw fixing

Einclipsbefestigung

Housing: Ceramic

Contacts: CrNi

- Wires permanently joined after insertion

T 250			2 A 250 V
		max. ø 1.8 mm	

Document generated on: Mo, 13. February 2017 - 13:21